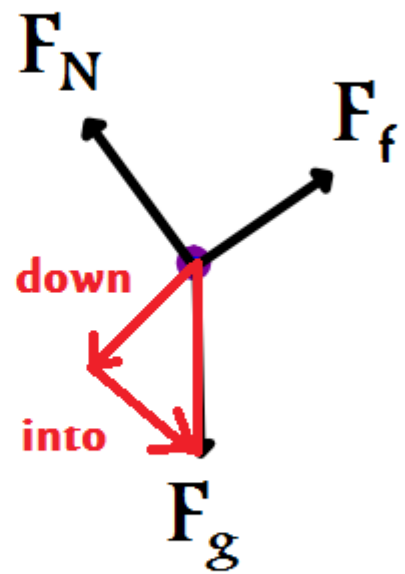
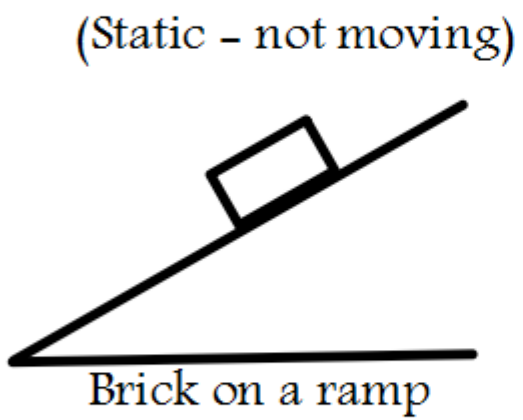
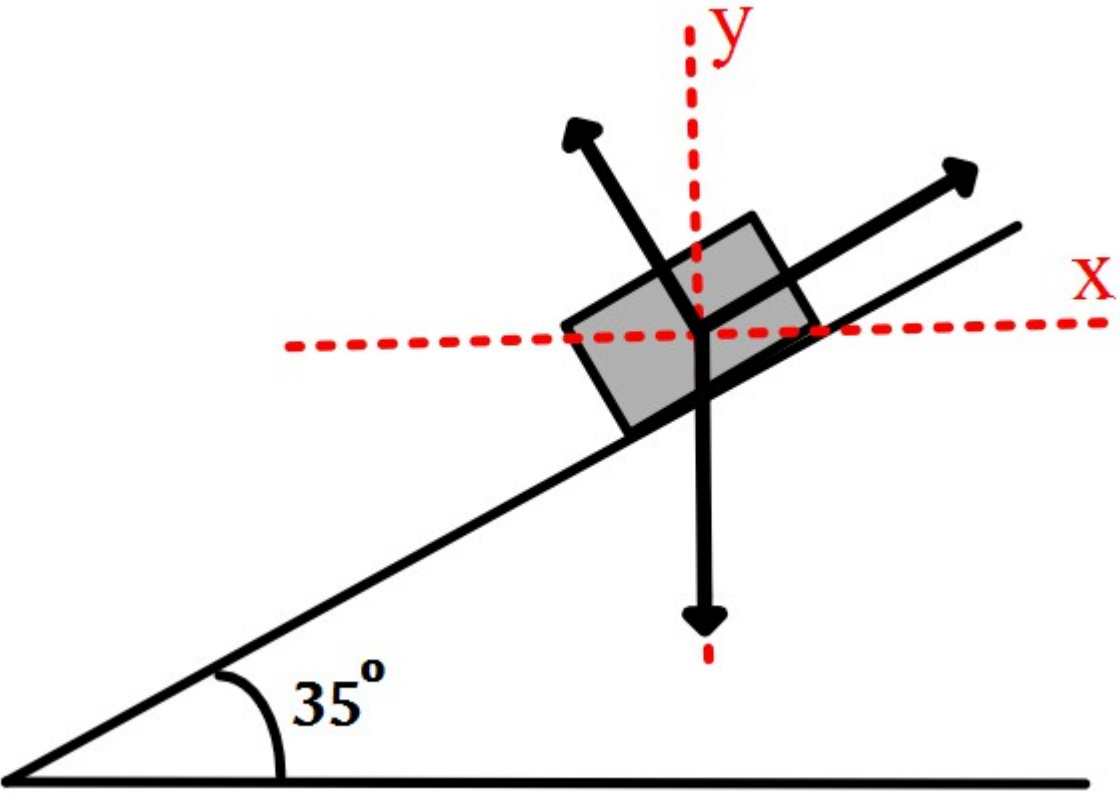
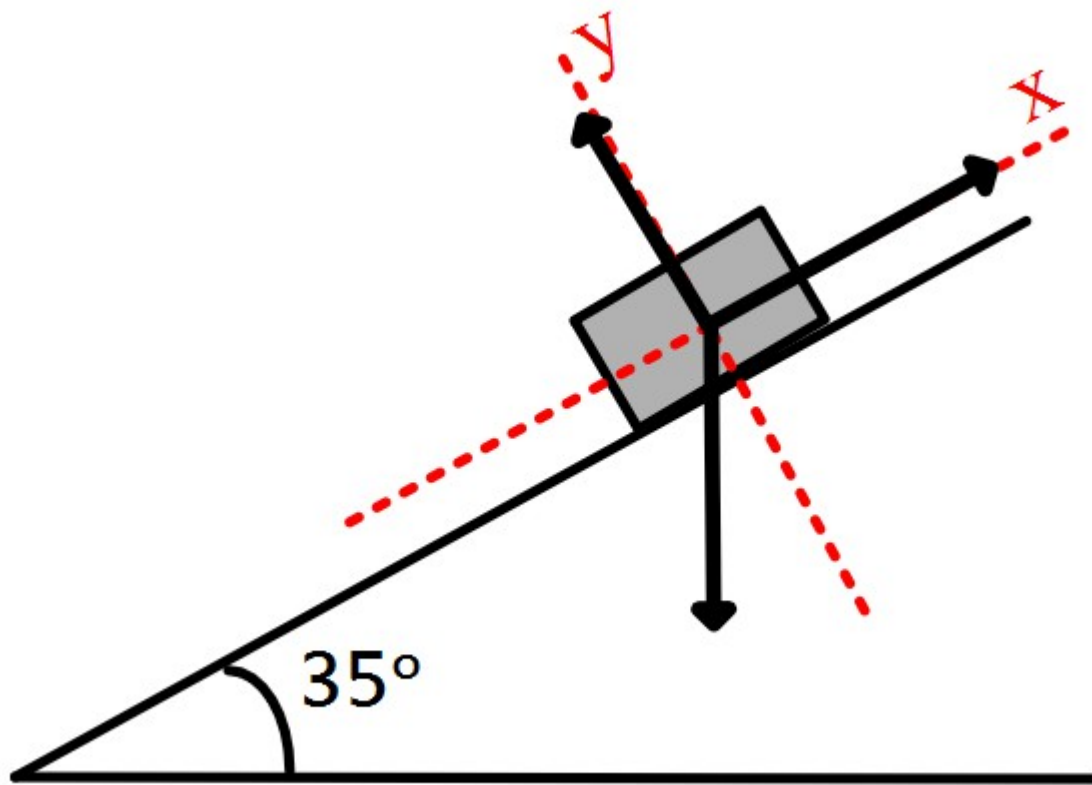
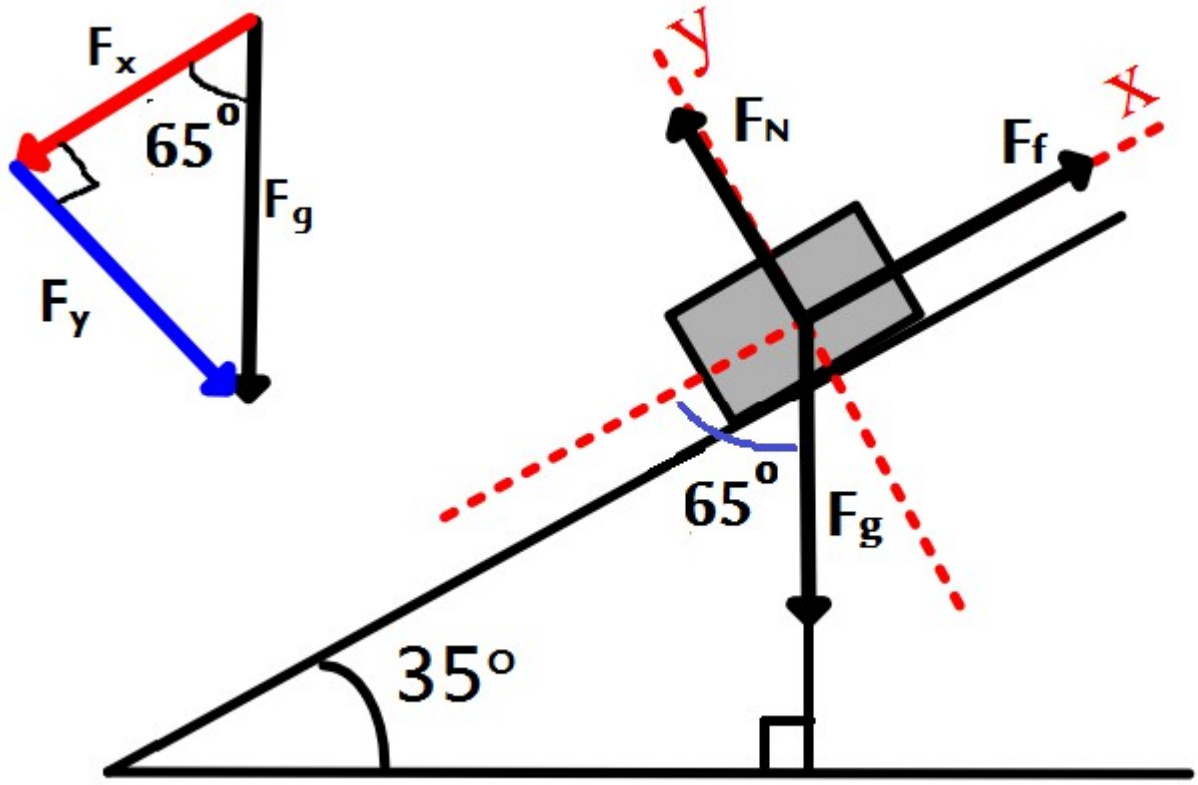


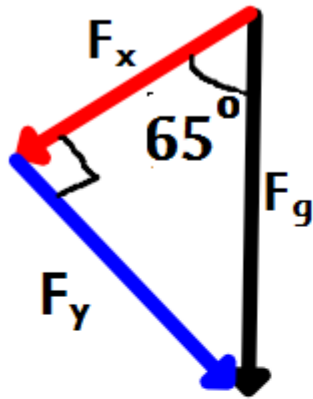
# **Inclined Planes**









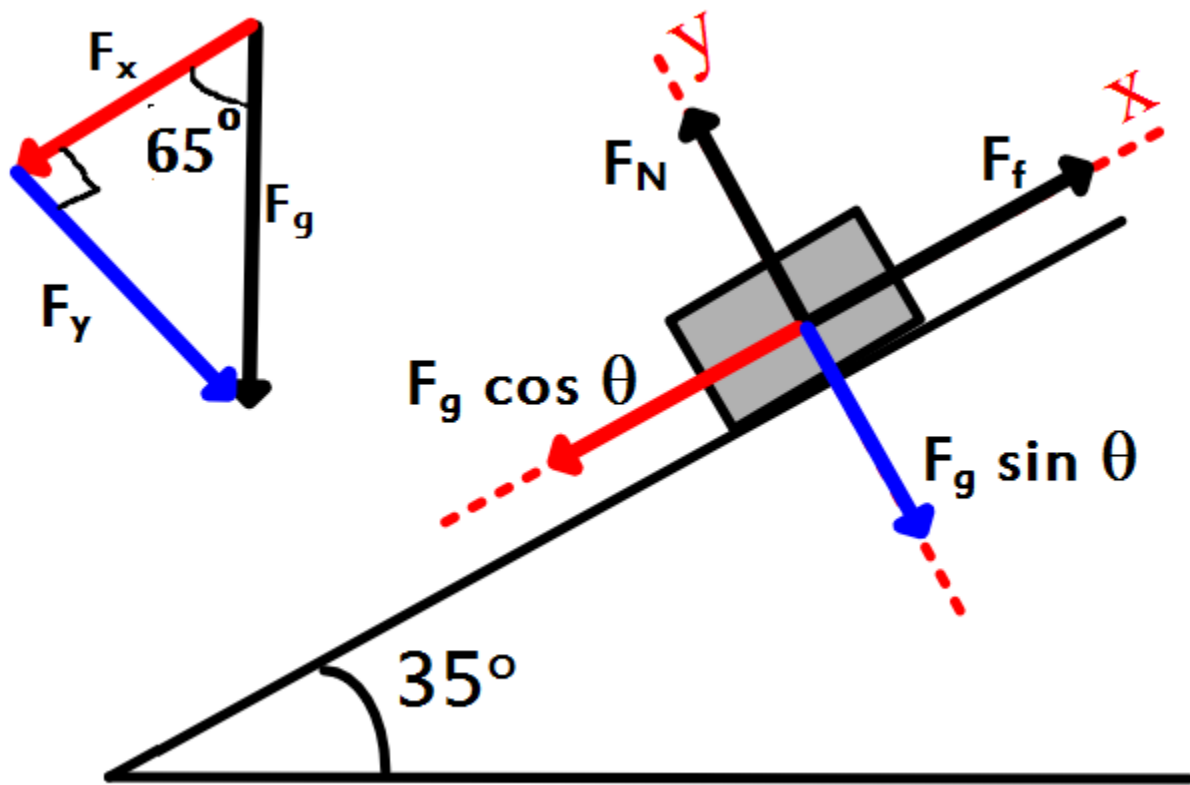


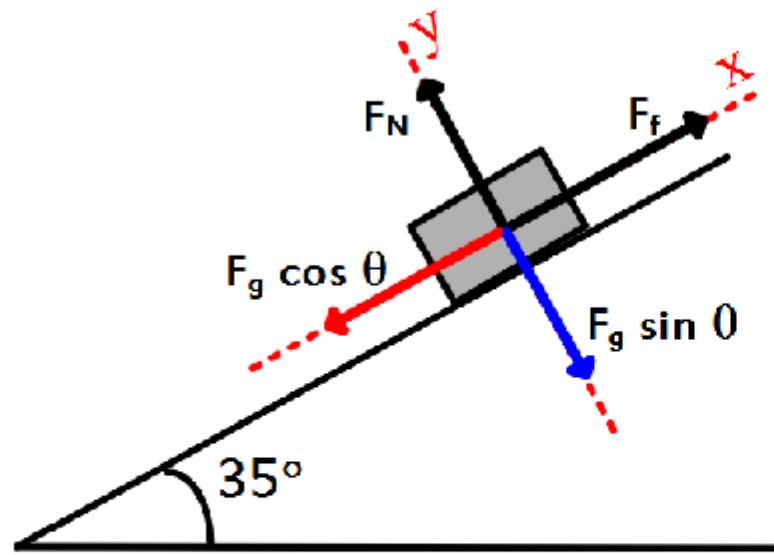
$$F_x = F_g \cos \theta$$

$$F_y = F_g \sin \theta$$

$$F_x = F_g \cos 65$$

$$F_y = F_g \sin 65$$





**X-Direction:**

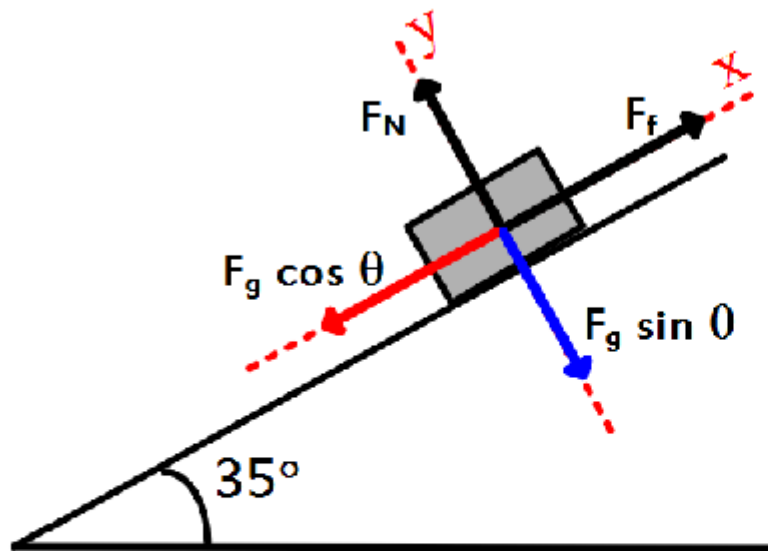
$$F_g \cos \theta = F_f \quad \times$$

**Y-Direction:**

$$F_g \sin \theta = F_N \quad \checkmark$$

**Acceleration ---> 2nd Law**





**X-Direction:**

$$F_{\text{net}} = ma$$

$$F_g \cos \theta - F_f = ma$$

↑ +ve right    ↑ -ve left

**Y-Direction:**

$$F_g \sin \theta = F_N$$